



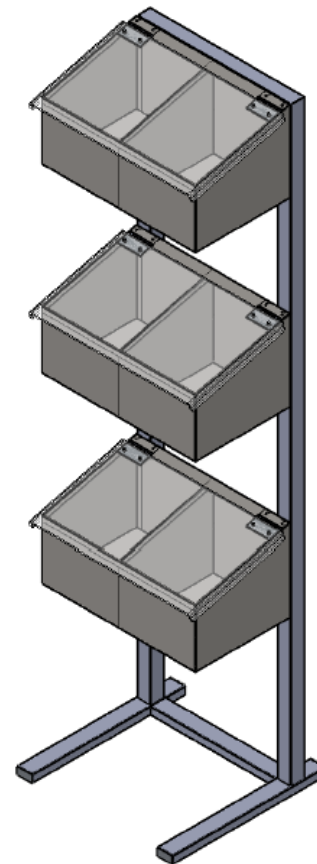
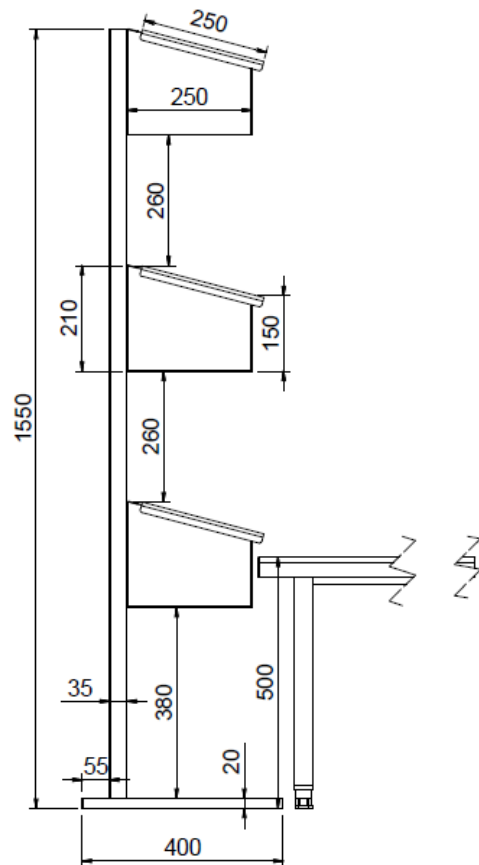
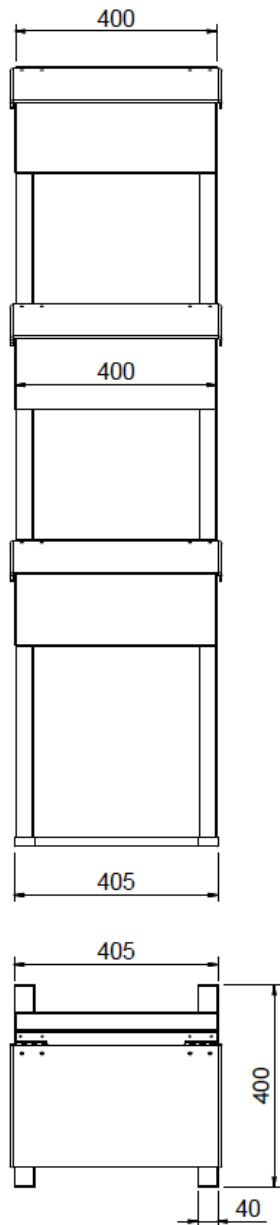
CESY4

STAINLESS STEEL AS YOU NEED IT!

STAINLESS STEEL STRUCTURE FOR
CONSUMABLES WITH 3 DISPENSERS
WITH 2 COMPARTMENTS AND
TRANSPARENT POLYCARBONATE LID
DIM. 400X400X1400Hmm

Made of AISI 304 stainless steel, Scotch Brite
finish. With 3 dispensers with 2 compartments
and transparent polycarbonate lids, welded to a
40x20mm tube support frame.





Tolleranza generale: dimensioni:	UNI ISO 2768-mk		Scala:	1:13	Peso:	0,743 kg
			Materiale:			
			Sviluppo:		x x	
			Cliente:			
			Trattamento:			

Serie:	Codice articolo:	Codice cliente:
Descrizione: STRUTTURA PORTA CONSUMABILI PREDISPOSTA PER 3 DISPENSER 400X400X1400H		Rev. TS19000186-000A