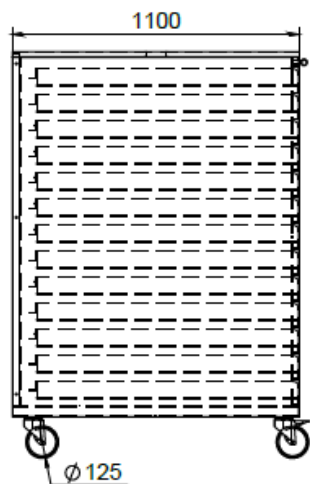
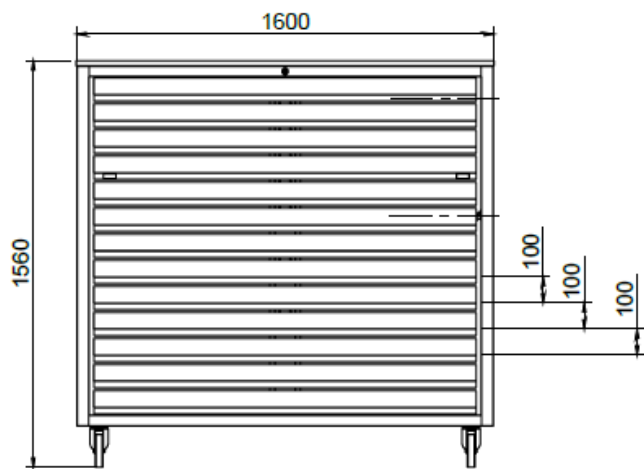


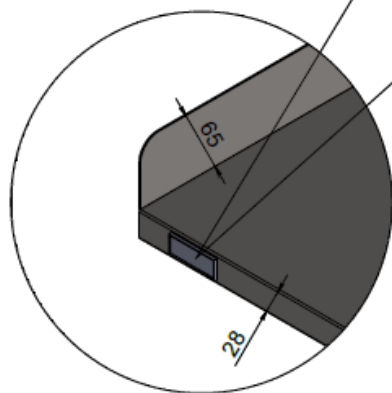
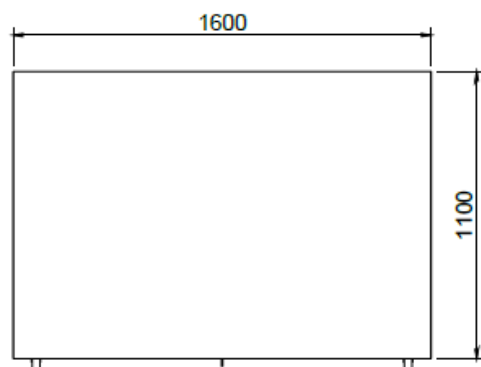
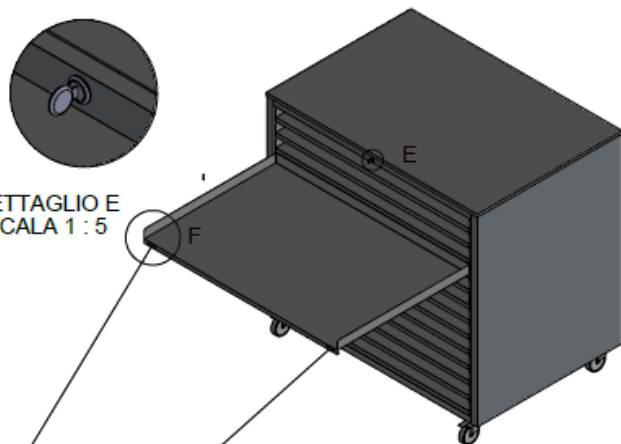
DRAWER CHEST WITH 13 DRAWERS, WITH BOTTOM HANDLE, WITH CENTRALIZED KEY LOCK AND ANTI-TILT SYSTEM, ON CASTORS, DIM. 1600X1100X1560Hmm



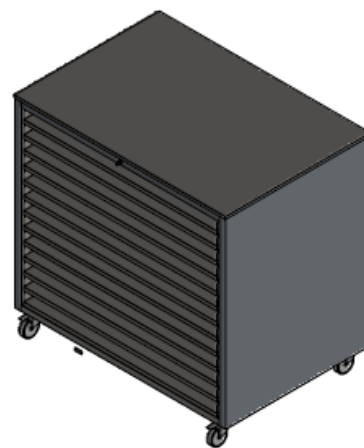
Made of AISI 304 Ni-Cr 18/10 stainless steel with Scotch Brite finish. No. 13 shelves on stainless steel runners with edge on 3 sides, without front edge but with bottom handle. Centralized key locking system that allows only one shelf to be opened at a time, preventing the cabinet from tilting. On 4 swivel castors Ø125mm with stainless steel support, two with brake. Useful drawer height 65mm. 2 label holders on the front.



DETTAGLIO E
SCALA 1 : 5



DETTAGLIO F
SCALA 1 : 5



Tolleranze generali dimensioni:	UNI ISO 2768-mK		Scala:	1:25	Peso:	116,985 kg
			Materiale:			
			Sviluppo:		x x	
Cliente:			Trattamento:			

Serie:	Codice articolo:	Codice cliente:
--------	------------------	-----------------

Descrizione: CASSETTIERA A 13 RIPIANI ESTRAIBILI C/MANIGLIA INFERIORE C/CHIUSURA CENTRALIZZATA E SISTEMA ANTRIBALTIMENTO SU RUOTE, DIM. 1600X1100X1500Hmm	Codice: TS22000512-000E	Rev.
--	-----------------------------------	------