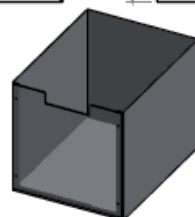
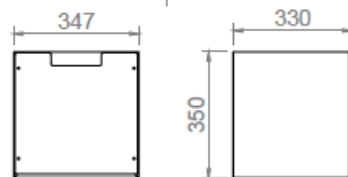
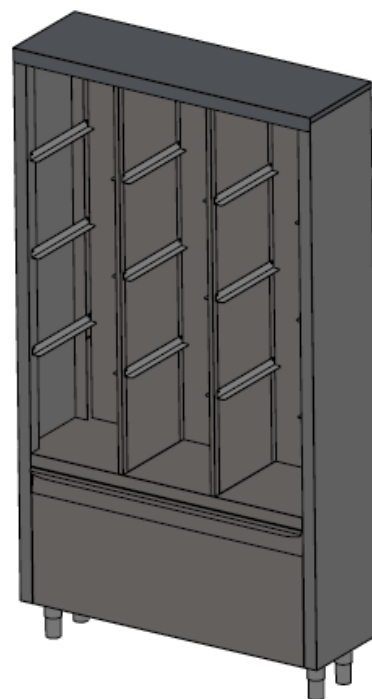
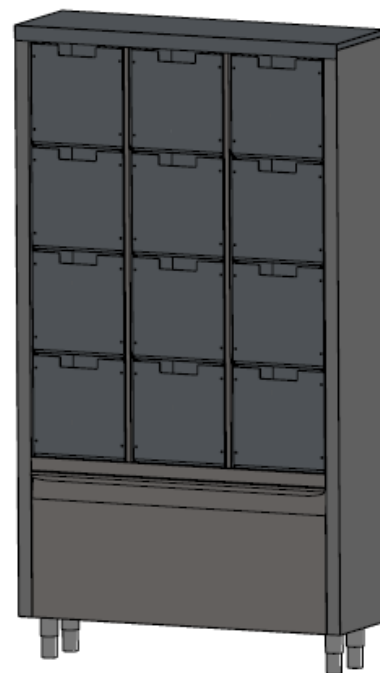
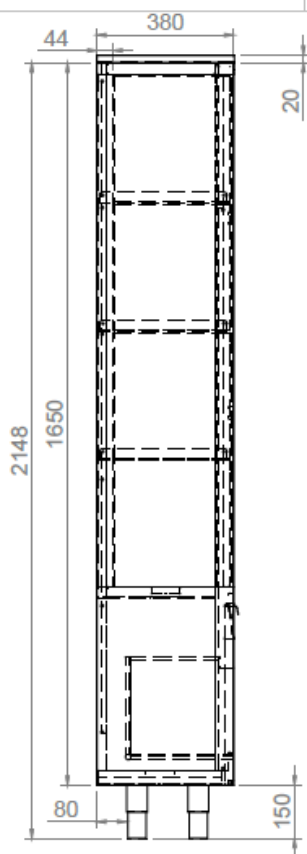
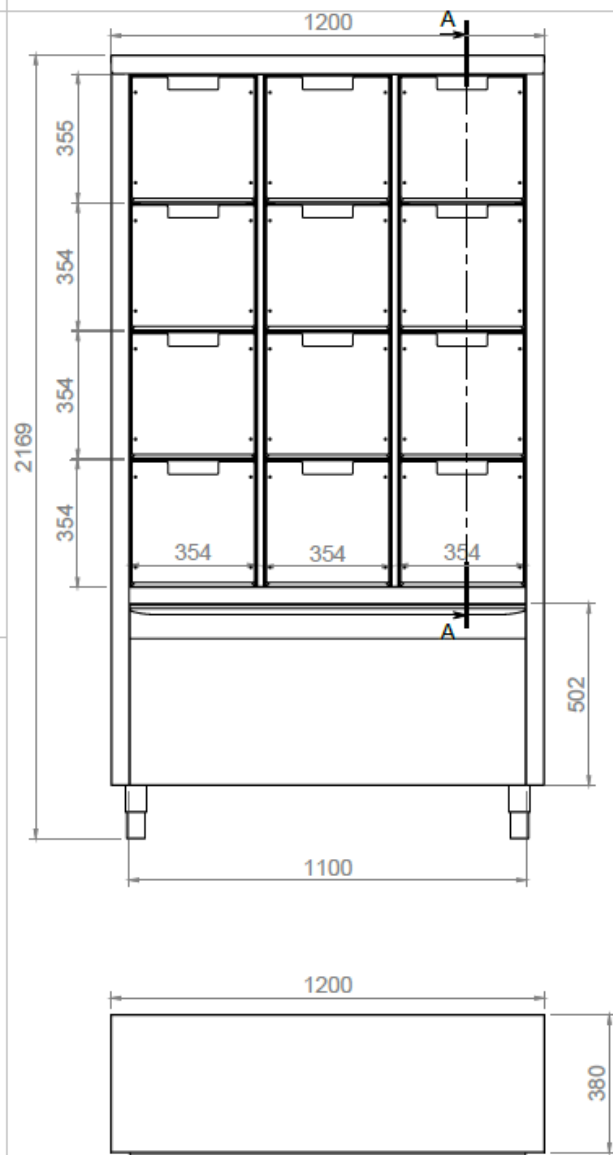


OPEN STORAGE CABINET WITH 12 DRAWERS WITH TRANSPARENT POLYCARBONATE FRONT PANEL AND LOWER VASISTAS DOOR H=500MM, ON ADJUSTABLE FEET, DIM. 1200X380X2169Hmm



Made of AISI 304 Ni-Cr 18/10 stainless steel with Scotch Brite finish. Complete with 3 vertical rows of 4 compartments each, positioned on L-shaped runners welded to the structure, removable, with transparent polycarbonate front panels, internal dim. 347x330x350Hmm. H=500mm vasistas door at the bottom. On adjustable feet, the rear ones 80mm advanced for rounded floor corner. Prepared for wall mounting.



Tolleranze generali dimensioni:	UNI ISO 2768-mK		Scala:	1:18	Peso:	250,339 kg
			Materiale:			
			Sviluppo:		x x	
			Cliente:		Treatmento:	

Serie:	Codice articolo:	Codice cliente:
--------	------------------	-----------------

Descrizione:	Codice:	Rev.
ARMADIO DI STOCCAGGIO A GIORNO C/12 CASSETTI C/FRONTALE IN LEXAN VASISTAS H.500 DIM.1200X380X2169H	<b>TS20000941-000B</b>	