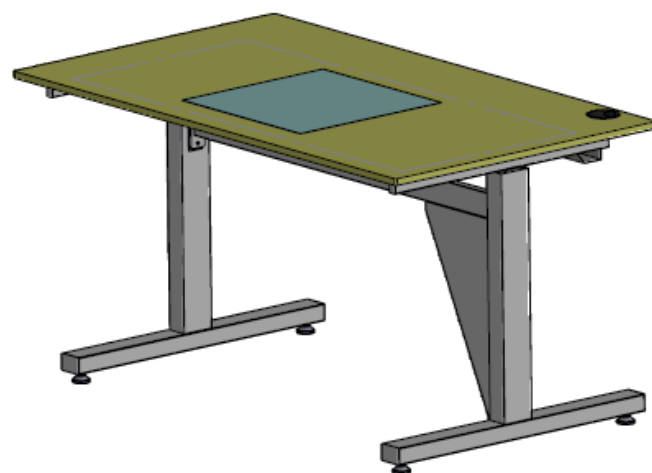
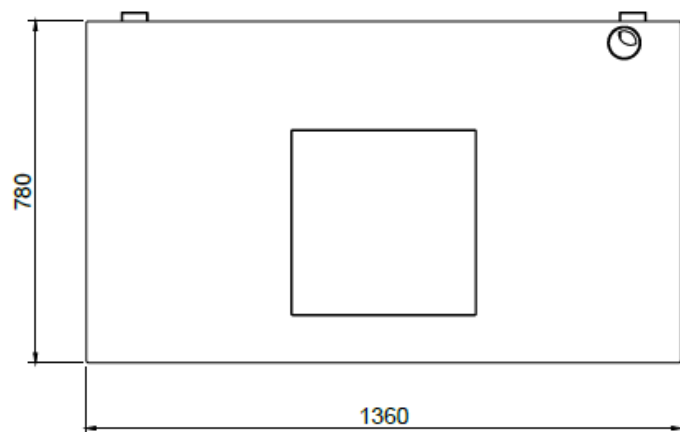
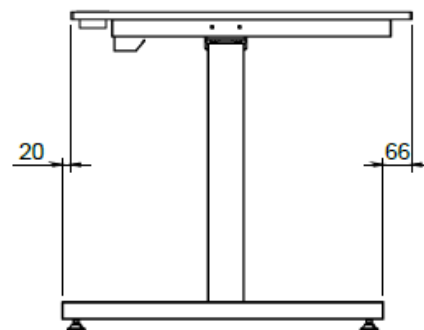
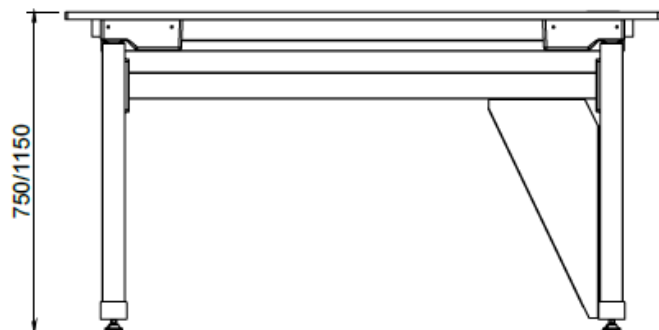


WORKING TABLE WITH INVERTED T-SHAPE STRUCTURE, ELECTRICALLY ADJUSTABLE HEIGHT,
DIM. 1400X780X750/1150Hmm



AISI 304 stainless steel tube frame mm40x40 1mm thick fully welded, Scotch Brite finish. Inverted T-shaped frame, rear legs protrudes 20mm from the work surface. HPL white 406/black zodia working top 16mm thick, rounded R5 on corners. Electrically adjustable height from 750mm minimum to 1150mm maximum. On adjustable feet.



2					
1					
A	10/03/2023				PRIMA EMISSIONE
REV	Disegnato:	Data emissione:	Approvato:	Data ultimo agg.:	Descrizione:

Note:

Tolleranze generali dimensioni:	UNI ISO 2768-mK		Scala:	1:15	Peso:	33,032 kg
			Materiale:			
			Sviluppo:		x x	
			Cliente:			
			Trattamento:			

Serie:	Codice articolo:	Codice cliente:
Descrizione:	Codice: TS23000277-000A Rev.	