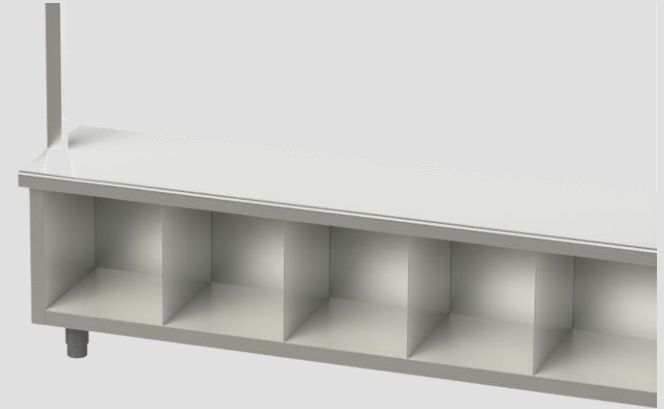


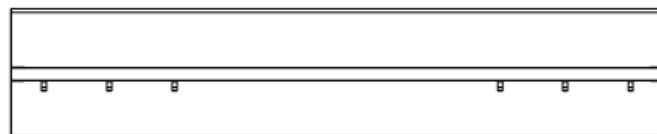
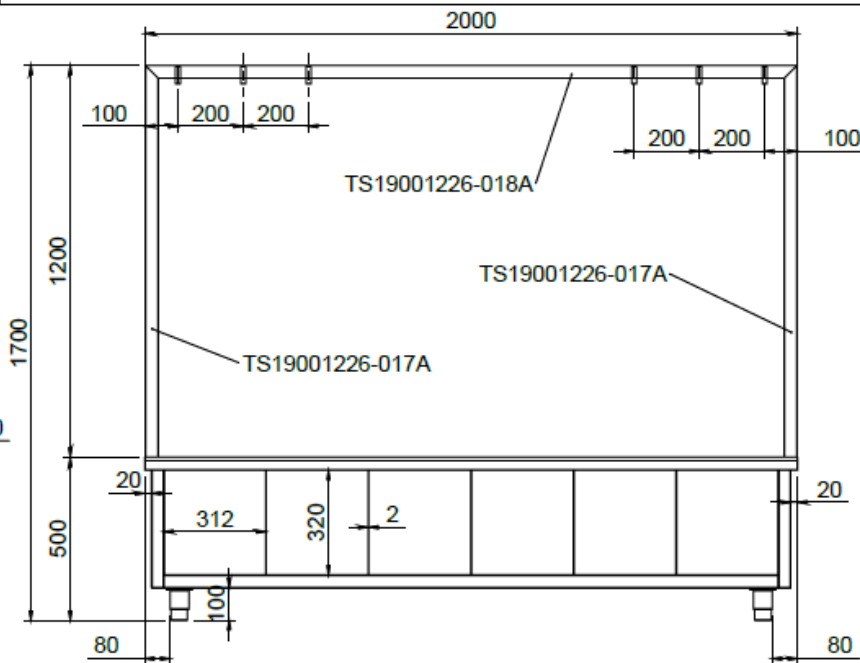
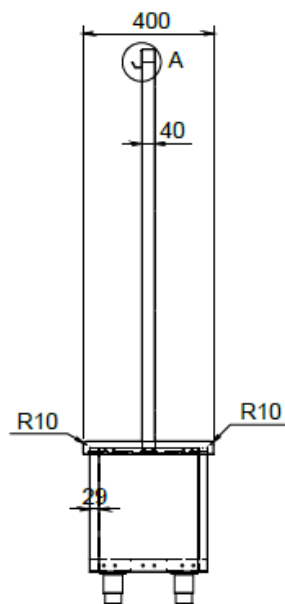
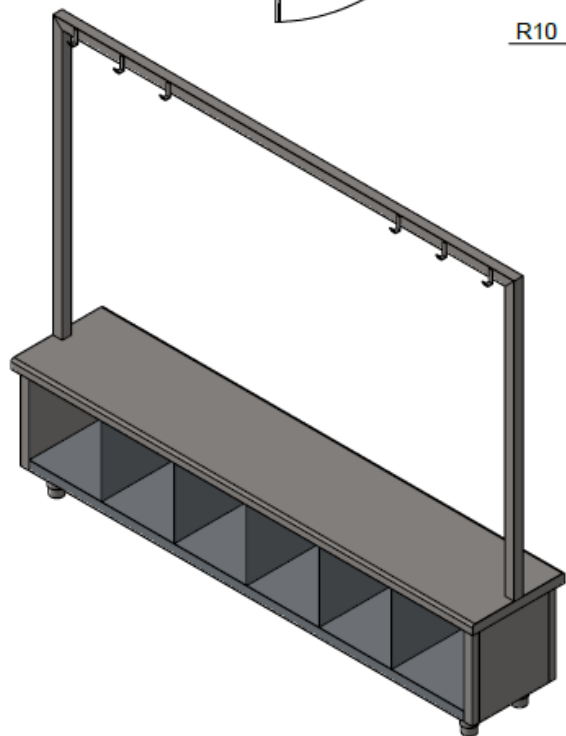
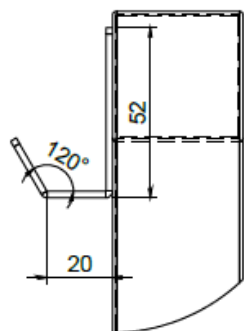
STAINLESS STEEL STEP-OVER BENCH WITH 6 COMPARTEMENTS DIM. 312X320mm, UPPER HANGING RACK STRUCTURE, TOTAL DIM. 2000X400X1700Hmm



Frame structure in stainless steel AISI 304 fully welded 40x40mm tube, 1.00mm thick, rear legs 80mm advanced, suitable for rounded floor corner. Welded panels to close the sides. 6 compartements on one side. Top made of AISI 304 stainless steel, 1.20mm thick, with inner plywood reinforcement and stainless steel lower cover. Long sides rounded R=10mm. On adjustable feet. Upper structure welded to the bench with «L» shape hanging racks.

DETTAGLIO A  
SCALA 1:2

X6



TS4

Tolleranze generali dimensioni:	UNI ISO 2768-mk		Scala:	1:20	Peso:	82,899 kg
			Materiale:			
			Sviluppo:		x x	
Cliente:			Trattamento:			

Serie:	Codice articolo:	Codice cliente:
Descrizione: PANCA CENTRALE INOX CON 6 VANI SEPARATI, COMPLETA DI STRUTTURA APPENDIABILI. DIM. 2000x400x1700mm		Rev. <b>TS19001226-000D</b>