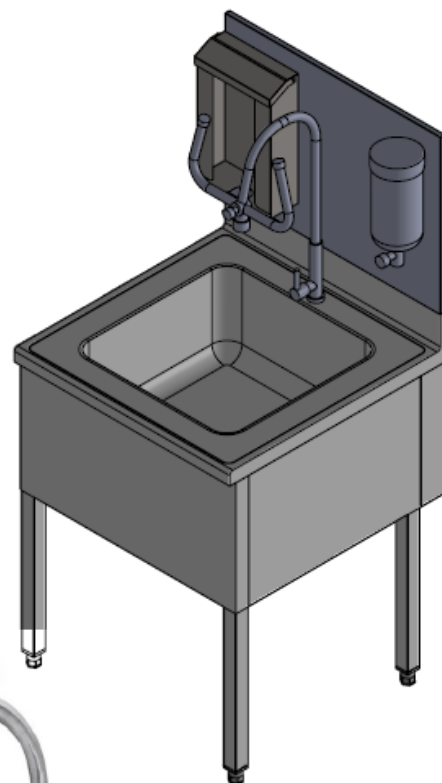
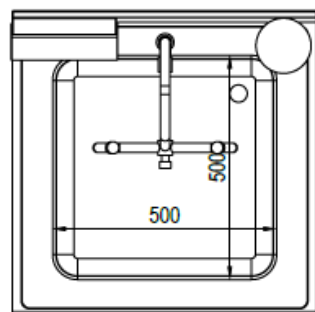
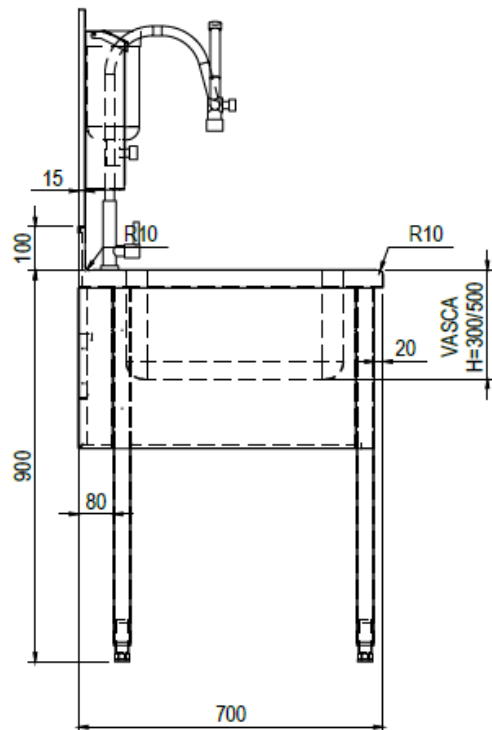
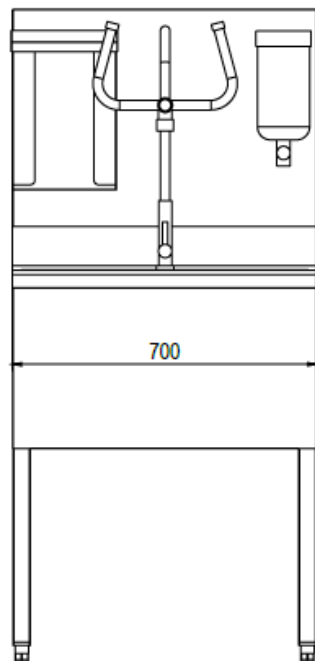


STAINLESS STEEL SINK ON LEGS WITH 1 SINK BOWL
WITH REAR PANEL H=50mm, MIXER WITH EYE
SHOWER, SOAP AND TOWEL DISPENSERS,
DIM.1000X700X900Hmm



Frame structure in AISI 304 Cr-Ni 18/10 stainless steel tube mm40x40, sp.10/10, fully welded with rear legs 80mm advanced for rounded floor corner. Rear and side reinforcing rails. Rounded R10 front edge as well as rounded R2 side edges; sink bowl dim. 800x500x450Hmm. Rear stainless steel panel H=500mm. Front and side cover panels. Supply includes drain, stainless steel overflow and PVC trap. Sink is supplied including eye shower, mixer, stainless steel soap dispenser and stainless steel towel dispenser. On adjustable feet.



RUBINETTO
CON LAVA OCCHI

2					
1					
A		31/10/2023			PRIMA EMISSIONE
REV	Disegnato:	Data emissione:	Approvato:	Data ultimo agg.:	Descrizione:

Note:



Tolleranza general dimensioni:	UNI ISO 2768-mk	Scale:	1:15	Peso:	32,018 kg
		Materiale:			
		Sviluppo:			x x
		Trattamento:			
Cliente:					

Serie:	Codice articolo:	Codice cliente:
Descrizione: ASSIEME		Codice: TSPR001013-000A
		Rev.