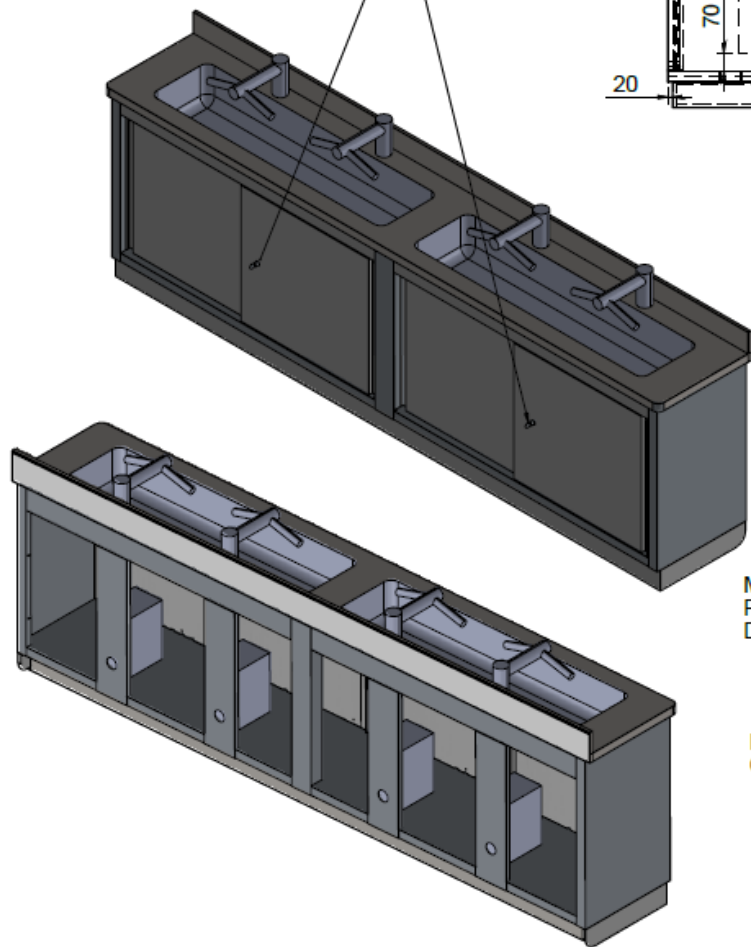
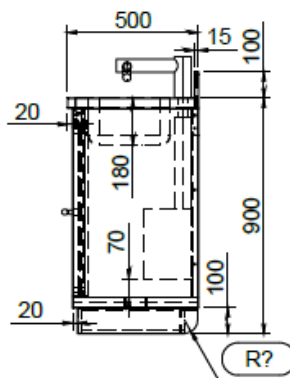


SINK ON SLIDING DOORS CABINET WITH
2 SINK BOWLS, FRONT CORNERS
ROUNDED R=30MM, ON SUSTAINING
SOCLE, DIM. 3000X500X900Hmm.
PREPARED FOR WALL FIXING



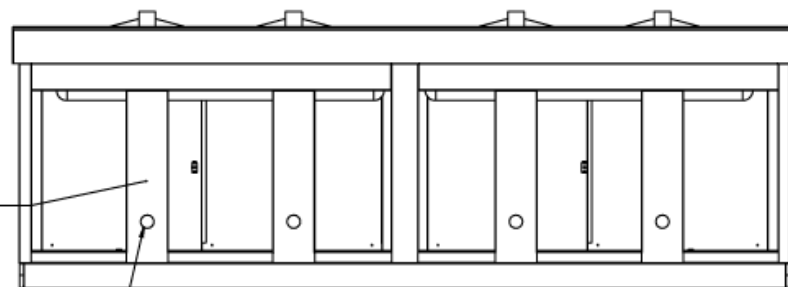
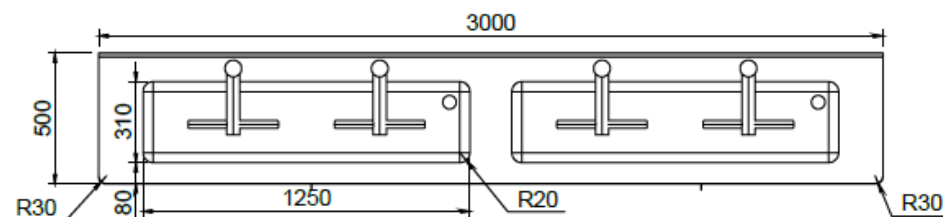
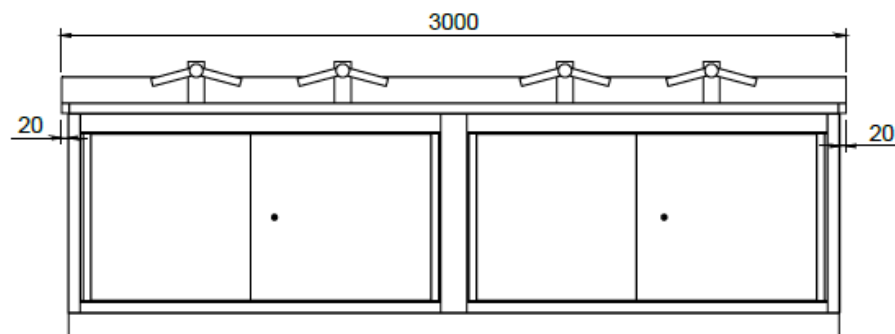
Made of AISI 304 Cr-Ni 18/10 stainless steel, Scotch Brite finish. Top with rounded R2 edges, and rounded R30mm front corners. No. 4 holes for Dyson mixer. Rear upstand H=100mm, welded and closed on the back. Sliding doors mounted on hygienic rails, easily removable without mechanical tools. Open back for hydraulic connections. PVC siphon, drain and stainless steel overflow included. Stainless steel supporting plinth advances on the back for rounded floor corner. Sink bowl dim. 1250x310x300Hmm.

SERRATURA CON CHIAVE



MONTANTI
PER FISSAGGIO
DYSON

FORO PER PASSAGGIO
CAVO POSTERIORE



TS4

Tolleranza generali dimensioni:	UNI ISO 2768-mk		Scala:	1:25	Peso:	163,403 kg
			Materiale:			
			Sviluppo:		x x	
			Cliente:			
			Trattamento:			

Serie:	Codice articolo:	Codice cliente:
Descrizione: LAVELLO ANTE SCORREVOLI A 2 VASCHE, ANGOLI ANTERIORI RAGGIATI R30MM, SU ZOCCOLO PORTANTE, DIM. 3000X500X500Hmm		Rev. TS22000152-000F