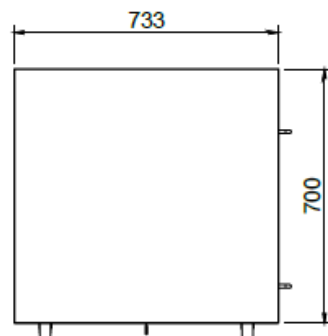
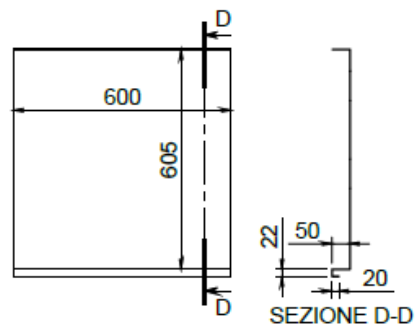
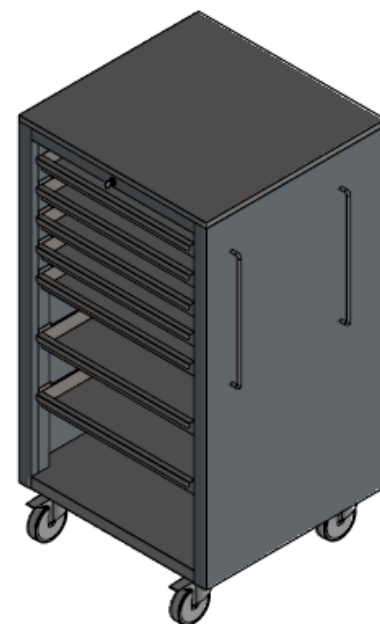
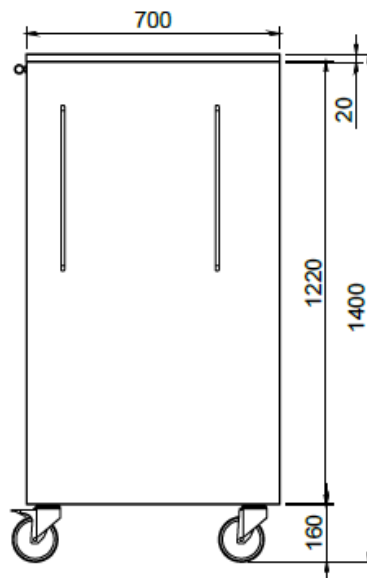
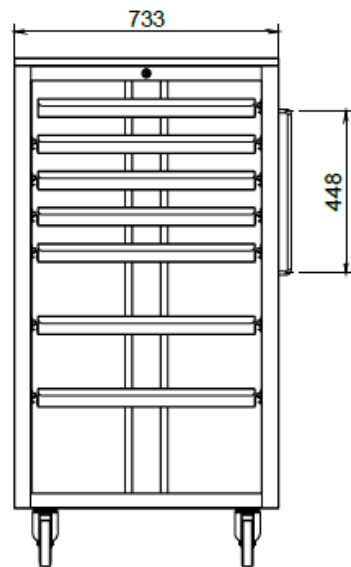
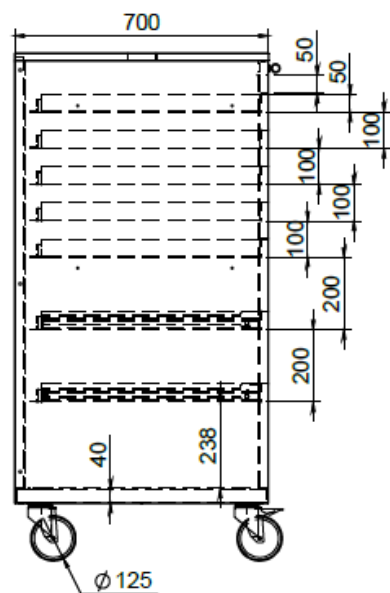


**DRAWER CHEST WITH 7 OPEN
DRAWERS, ON CASTORS, DIM.
830X800X1550Hmm**



Made of AISI 304 stainless steel with Scotch Brite finish. No. 7 drawers on stainless steel runners, useful internal dim. 700x700x150Hmm, each arranged for housing material weighing approx. 10kg. From top to bottom, the first 5 are positioned 100mm from each other, and the last two 200mm from each other. Complete with centralized anti-tilting key locking system, which allows only one drawer to be opened at a time to prevent the cabinet from tilting over. No. 2 H=320mm vertical handles made of stainless steel round tube positioned on the right side. The bottom shelf is positioned 550mm from the ground. On 2 swivels and 2 braked anti-trace castors, diam. 125mm, with stainless steel support.



Tolleranze generali dimensioni:	UNI ISO 2768-mk		Scala:	1:18	Peso:	122,873 kg
			Materiale:			
			Sviluppo:			X X
			Trattamento:			
Cliente:						

Serie:	Codice articolo:	Codice cliente:
--------	------------------	-----------------

Descrizione: CASSETTIERA A 7 CASSETTI, SU RUOTE, rif. CARRELLO DI STOCCAGGIO TIPO B, DIM. 830X800X1550Hmm	Codice: TS20000415-000A	Rev.
---	-----------------------------------	------