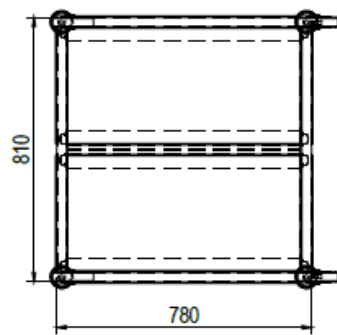
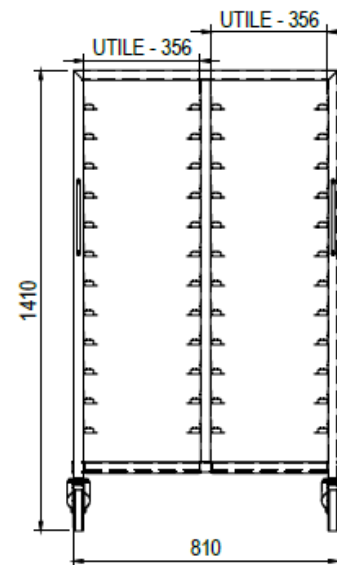
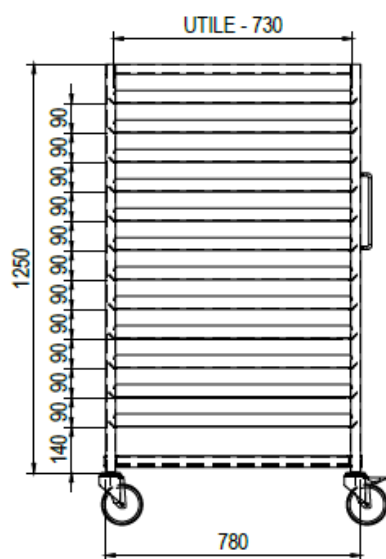


BAG DEFROST TROLLEY WITH 12+12 PAIRS OF RAILS, ON CASTORS, DIM. 810X780X1410Hmm

Made of AISI 304 Cr-Ni 18/10 stainless steel, Scotch Brite finish. Fully welded frame made of 30x30mm square tube, with upper and lower perimeter reinforcing frame. No. 12+12 pairs of welded rails complete with stops on both sides, useful dim. 356x730mm. No. 2 removable liquid collection tanks positioned on the bottom are included in the supply. Stainless steel round tube pull handle on the right side. On 4 swivel castors Ø125mm with stainless steel support, 2 with brakes.





TUBO QUADRO 30X30
AISI 304 SB



RUOTE INOX
2 CON FRENO 2 SENZA FRENO

VASCHE

2				
1				
A	22/02/2021			PRIMA EMISSIONE
REV	Disegnato:	Data emissione:	Approvato:	Data ultimo agg.: Descrizione:

Note:



Tolleranza generali: dimensioni:	UNI ISO 2768-mk		Scala: 1:20	Peso: 70,862 kg
			Materiale: AISI 304	
			Sviluppo: x x	
			Cliente:	Treatment:

Serie:	Codice articolo:	Codice cliente:
Descrizione: CARRELLO SCONGELAMENTO SACCE IN GUISCIO		Codice: TSPR000935-000A
		Rev.