

CENTRAL WORKBENCH WITH 2 SIDES WITH HINGED DOORS AND DRAWERS, SINK BOWL WITH DRIPPING AREA INCLUDED IN THE RIGHT SIDE, CENTRAL UPSTAND PREPARED FOR SOCKET HOLDER, DIM. 2500X1900X900+500Hmm



Made of AISI 304 Cr-Ni 18/10 stainless steel, Scotch Brite finish, with central structure for electrical sockets. Working top in AISI 304 sheet, 1.20mm thick, with inner plywood reinforcement and stainless steel lower cover. Rounded (R=10mm) front upper edge, as well as rounded (R=2mm) side edges. Central upstand H=500mm prepared for housing electrical sockets of your supply.

Left side from left to right:

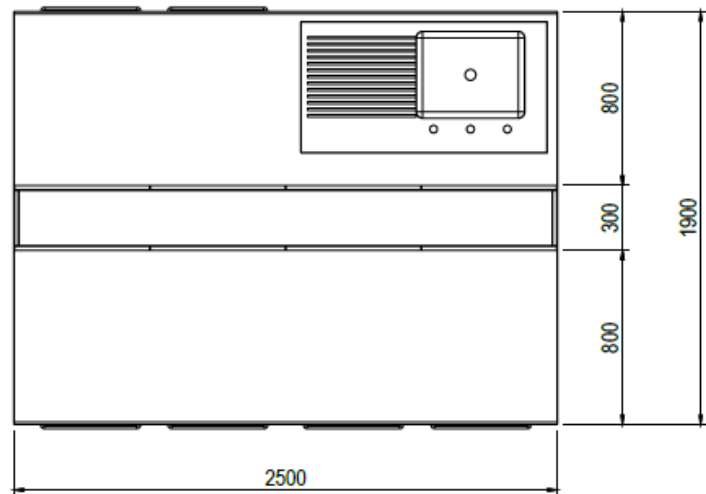
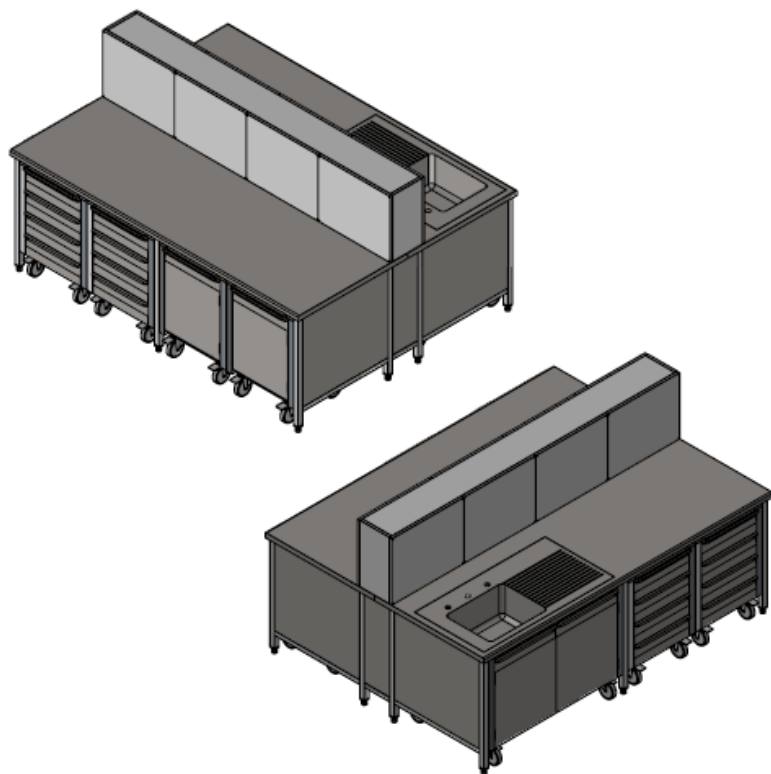
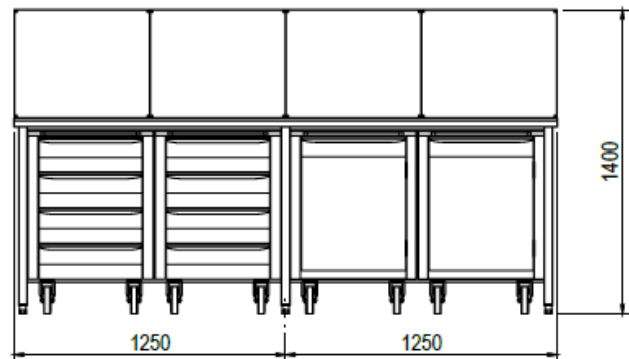
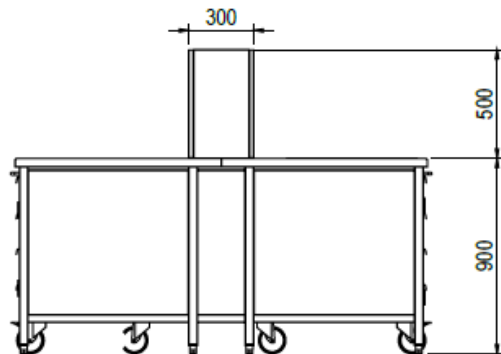
- 2 undertop mobile unit with 4 drawers, L=550mm;
- 2 undertop mobile units with hinged door, with height-adjustable inner shelf, L=550mm.

On the right side working top with sink bowl dim. 600x500x315Hmm, positioned on the left side, and dripping area on the right of the sink bowl.

From left to right:

- Undertop mobile unit with 2 hinged doors, with height-adjustable inner shelf, L=1100mm;
- 2 undertop mobile units with 4 drawers on stainless steel guides, L=550mm.

Cover panels on the sides. On adjustable feet.



Tolleranze generali: dimensioni:	UNI ISO 2768-mk		Scala: 1:30	Peso: 678,924 kg
			Materiale:	
			Sviluppo:	x x
			Trattamento:	

Serie: FARMA	Codice articolo:	Codice cliente:
Descrizione: BANCO CENTRALE A 2 FRONTI CON ANTE BATTENTI E CASSETTIERE A 4 CASSETTI, SENZA SPONDA, CON LAVELLO, CON STRUTTURA CENTRALE DIM.		Codice: TS23000232-000A
		Rev.