

**CENTRAL WORKBENCH WITH 2 SIDES WITH  
HINGED DOORS AND DRAWERS, DIM.  
2300X1150X900Hmm**



Made of AISI 304 Cr-Ni 18/10 stainless steel, Scotch Brite finish. Working top in AISI 304 sheet, 1.20mm thick, with inner plywood reinforcement and stainless steel lower cover. Rounded (R=10mm) front upper edge, as well as rounded (R=2mm) side edges.

Left side from left to right:

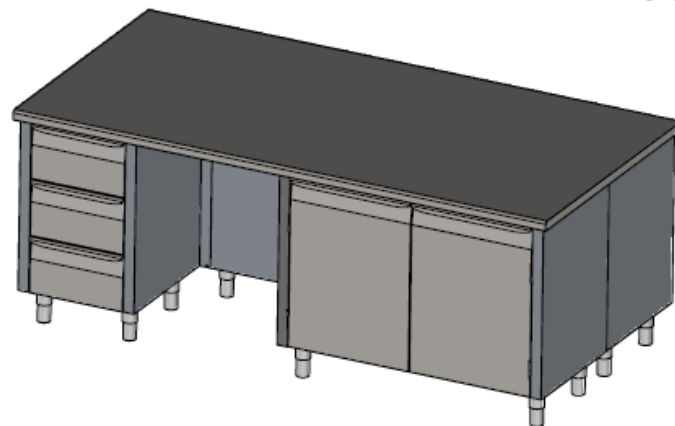
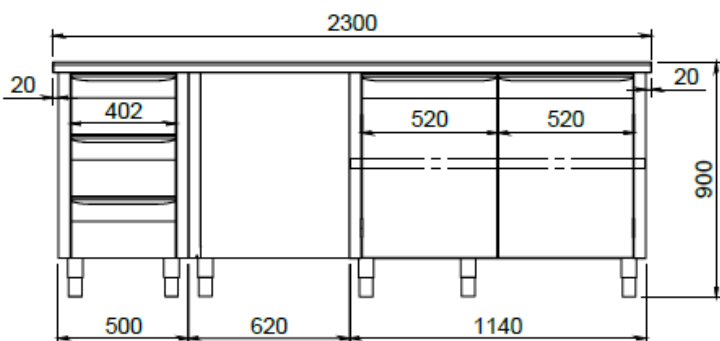
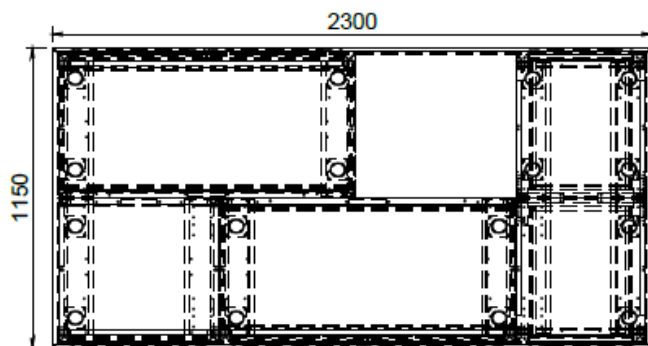
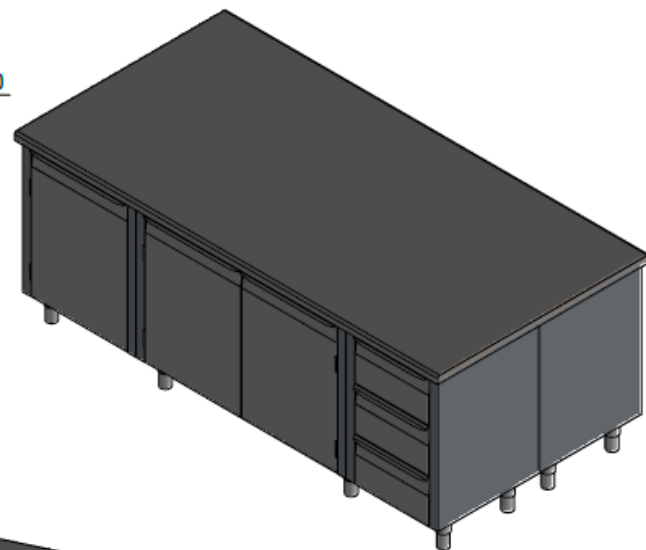
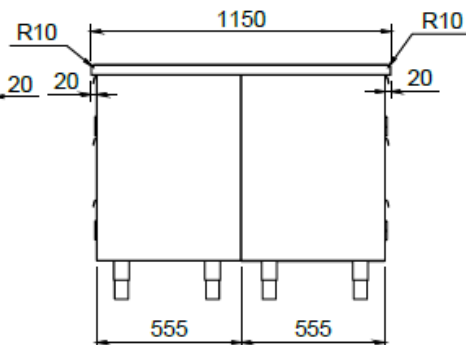
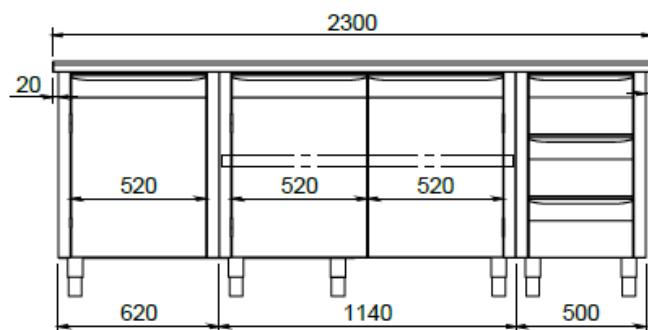
- Undertop mobile unit with 3 drawers on stainless steel guides, L=500mm;
- Free compartment L=600mm;
- Undertop mobile unit with hinged doors, with height-adjustable inner shelf, L=1200mm.

Right side from left to right:

- Undertop mobile unit with 2+1 hinged doors, with height-adjustable inner shelf, L=1800mm;
- Undertop mobile unit with 3 drawers on stainless steel guides, L=500mm.

On adjustable feet.

# REPARTO PRODUZIONE COSMETICO



**4**

Tolleranze generali dimensioni:	UNI ISO 2768-mK		Scala:	1:25	Peso:	207,66 kg
			Materiale:			
			Sviluppo:		x x	
			Cliente:			Treatamento:

Serie:	Codice articolo:	Codice cliente:
Descrizione:	Codice: <b>TS22000667-000A</b>   Rev.	
BANCO CENTRALE A 2 FRONTI CON ANTE BATTENTI E CASSETTIERE A 3 CASSETTI, SENZA SPONDA, DIM 2300X1150X900mm		